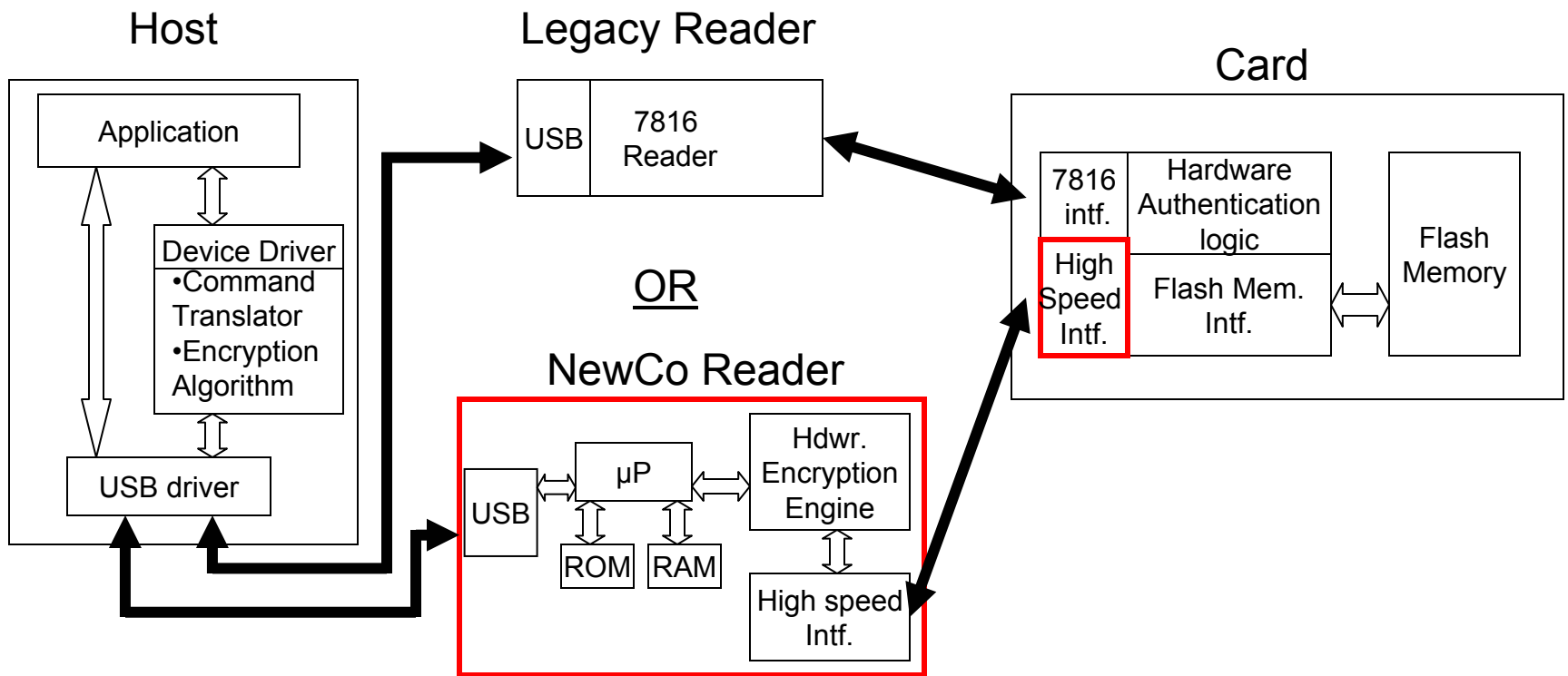


NewCo Technology



 US Patent 7,350,717